





## Table of Contents

Company Introduction	3
Qualifications and Certifications	4
R&D Center	6
Gymnastics	9





# Taishan Sports Equipment Co., Ltd

**Taishan is growing together with the development of the sports community.** It has successfully served the Olympic Games, the Youth Olympic Games, the Asian Games, the Universiade, and many other international sporting events. Every glorious moment in sports events provides a growing opportunity for our people. We have a rich history behind our brand and have become a trustworthy name in the international sports equipment industry. Taishan is the Official Supplier for 2008 Beijing Olympic Games, and provided tens of thousands of equipment in over 200 varieties, thus becoming the biggest equipment supplier in the history of Olympic Games. Over 40% of the gold medals were produced with Taishan equipment and we created the record of “Zero Faults, Zero Breakdowns and Zero Complaints”.

**Integrity is a promise that we will keep to all users at every corner of the world.** We pledge to do our part to support sportsmanship and bring the culture of sports to more places. Please join us in our journey to help the rest of the world enjoy sports! 🏆

**Taishan Sports Equipment Co., Ltd.** is located in the Economic and Technology Development Zone of Leling city, Shandong province. It is the wholly-owned subsidiary of the Taishan Sports Industry Group, and also the cornerstone and core of the group company. We are becoming the largest international sports equipment manufacturer that provides a variety of items. Our professional competition mats are a superior product of Taishan. Additionally, we provide mats for judo, wrestling, taekwondo, martial arts, and free combat, which are all made by the most advanced technologies and environmentally-friendly materials. All of these products are also certified by the international federations. We offer a range of competitive sports equipment, such as gymnastics, track and field, boxing, weightlifting, which are all certified by the international federations as well. The equipment is not only used for competitions, but is also widely used in communities and schools.

# Qualifications and Certifications



Official FIG Partner

## GYMNASTICS SUPPLIER

1. 2017 Universiade (World University Games) - Taipei, Taiwan
2. 2014 Youth Olympic Games - Nanjing, China
3. 2014 World Gymnastics Championships - Nanjing, China
4. 2012 The Artistic Gymnastics World Cup
5. 2011 Universiade (World University Games) - Shenzhen, China
6. 2010 Asian Games - Guangzhou, China
7. 2008 Olympic Games - Beijing, China



1.



2.



3.



4.



5.



6.



7.



8.



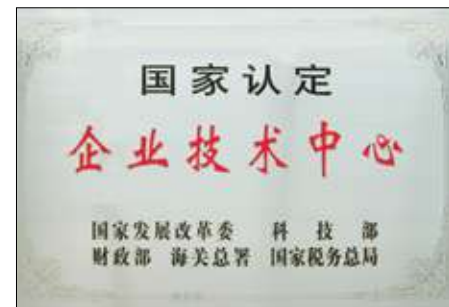
9.



10.

# R&D Center

The Taishan Group has established a research and development partnership with the Beijing Sport University, as well as other well-known colleges, universities and research institutions. We have also successively cooperated with Shandong University to establish the Shandong University-Taishan Sports Equipment Research and Development Center and cooperated with the East China University Of Science and Technology to build the country's first sports new material research and development center called the East China University Of Science and Technology-Taishan Sports New Material Research and Development Center. All of which have provided a powerful guarantee for the Taishan Group in the professional, technology-based, and cutting-edge research and development.



# GYMNASTICS

## COMPETITION PARALLEL BARS

### Model

TQ1001

### Size

Rail length: 350cm/137in.

Height: 160-210cm/63-82in.

Width: 42-62cm/16-24in.

Column distance: 230cm/90in.

### Weight

285kg/628lbs.

### Description

The carbon steel base offers a high degree of stability and is equipped with a 3-point locking mechanism for added safety. Bars are made from a high quality fiberglass steel core welded with advanced thermal process to ensure stability, and are treated and wrapped in maple to add more elasticity. Special locking device for quick and easy adjustment of height and width (adjusts in 5cm increments). Base is a 6mm welded steel plate.



FIG Approved



### PARALLEL BARS FOR TRAINING

#### Model

TQ2001

#### Size

Rail length: 350cm/137in.  
Height: 160-210cm/63-82in.  
Width: 42-62cm/16-24in.

#### Weight

242kg/533lbs.

#### Description

The carbon steel base offers a high degree of stability and is equipped with a 3-point locking mechanism for added safety. Bars are made from a high quality fiberglass steel core, wrapped in maple to add more elasticity. Frame is finished with silver baking varnish. Intended for training purposes only. Special locking device for quick and easy adjustment of height and width (adjusts in 5cm increments). Non-marking floor contacts.



### PARALLEL BARS FOR CHILDREN

#### Model

TQ2003

#### Size

Rail length: 170cm/67in.  
Height: 95-135cm/37-53in.  
Width: 32-52cm/12-20in.

#### Weight

90kg/198lbs.

#### Description

The carbon steel base offers a high degree of stability. Intended for children. Bars are made from a high quality fiberglass steel core, wrapped in maple to add more elasticity. Frame is finished with silver baking varnish. Special locking device for quick and easy adjustment of height and width (adjusts in 5cm increments). Non-marking floor contacts.



### PARALLEL BARS FOR YOUTH TRAINING

#### Model

TQ2002

#### Size

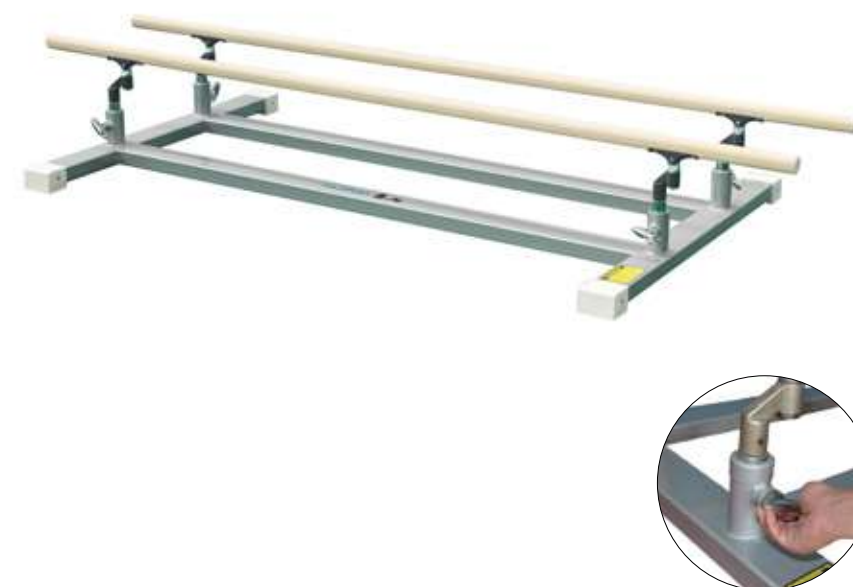
Rail length: 270cm/106in.  
Height: 120-160cm/47-63in.  
Width: 32-52cm/12-20in.

#### Weight

156kg/344lbs.

#### Description

The carbon steel base offers a high degree of stability. Intended for youth training. Bars are made from a high quality fiberglass steel core, wrapped in maple to add more elasticity. Frame is finished with silver baking varnish. Special locking device for quick and easy adjustment of height and width (adjusts in 5cm increments). Non-marking floor contacts.



### LOW PARALLEL BARS

#### Model

TQ2004

#### Size

Rail length: 270cm/106in.  
Height: 40cm/15in.  
Width: 32-52cm/12-20in.

#### Weight

66kg/145lbs.

#### Description

Fiberglass rail wrapped with wood. Frame is finished with silver baking varnish. Special locking device for quick and easy adjustment of height and width (adjusts in 5cm increments). Non-marking floor contacts.



### PARALLEL BAR BLOCKS

**Model**

TQ2006

**Size**

160x60x100cm/63x23x39in.

**Weight**

75kg/165lbs.

**Description**

Designed for learning basic skills before progressing to regulation bars. Helps improve strength and flexibility of the shoulders, chest, abs and back. High compression XPE foam to reduce risk of injury and increase overall elasticity. Frame is finished with baked silver varnish. Blocks are connected and stabilized with velcro. Blocks and frame are connected with special fastening device. Adjustable width.



### SPOTTING BENCH FOR PARALLEL BARS

**Model**

TQ2047

**Size**

Bench: 255x25cm/100x10in.

**Weight**

34kg/75lbs.

**Description**

Suitable for athletes. Bench is made of red pine, and has been finished with powder coating. Features locking handle to allow quick height adjustments.



### PARALLEL BARS TROLLEY

**Model**

TQ2048

**Size**

1x1x0.2m/39x39x7in.

**Weight**

7.5kg/16lbs.

**Description**

Used for quick and convenient transfer of parallel bars. Features heavy-duty industrial casters for free movement of equipment.



### SPOTTING BENCH FOR UNEVEN BARS

**Model**

TQ2049

**Size**

Bench: 100x45cm/30x17in.

**Weight**

30.5kg/67lbs.

**Description**

Suitable for athletes. Bench is coated with special fiber-leather and filled with plywood and high-density sponge. Features special locking handle to allow quick height adjustments.





### SPOTTING BENCH FOR HORIZONTAL BARS

**Model**  
TQ2054

**Size**  
Bench: 100x45cm/39x17in.

**Weight**  
30.5kg/67lbs.

**Description**  
Suitable for athletes. Bench is coated with special fiber-leather and filled with plywood and high-density sponge. Features special locking handle to allow quick height adjustments.



FIG Approved



### STANDARD UNEVEN BARS

**Model**  
TQ1003

**Size**  
High bar height: 230-280cm/90-110in.  
Low bar height: 150-200cm/59-78in.  
Width: 130-180cm/51-70in.  
Scope of adjustment: 5cm/2in.  
Bar diameter: 4cm/1.5in.  
Bar length: 240cm/94in.

**Weight**  
118kg/260lbs.

**Description**  
Bars are made from a fiberglass steel core, wrapped in maple. High quality 50x3.5mm carbon steel frame. Chrome plated internal adjustment system, with special 42x8mm steel adjustment handle. Stainless steel 6mm wire rope tension system. Integrated wheels for convenient moving. Non-marking floor contacts. Base is made of 3mm high quality steel plate.



### SPOTTING BENCH FOR RINGS

**Model**  
TQ2052

**Size**  
Bench: 80x50cm/31x19in.

**Weight**  
30.5kg/67lbs.

**Description**  
Bench is coated with special fiber-leather and filled with plywood and high-density sponge. Features special locking handle to allow quick height adjustments.



### UNEVEN BARS FOR TRAINING

**Model**  
TQ2010

**Size**  
High bar height: 205-255cm/80-100in.  
Low bar height: 135-185cm/53-72in.  
Width: 110-185cm/43-72in.  
Bar diameter: 4cm/1.5in  
Bar length: 240cm/94in.

**Weight**  
122kg/269lbs.

**Description**  
Bars are made from a fiberglass core, wrapped in maple. High quality carbon steel frame. 2 chrome plated internal adjustment system, with special adjustment handle for easy and quick adjustments. 6mm stainless steel wire rope tension system. Widened base for increased stability. Integrated wheels for convenient moving. Non-marking floor contacts.



### FREESTANDING UNEVEN BARS

#### Model

TQ2011

#### Size

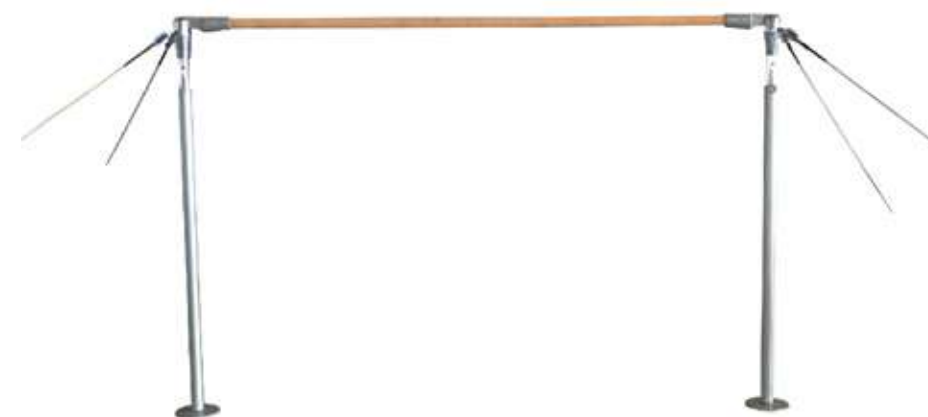
High bar height: 205-255cm/80-100in.  
Low bar height: 135-185cm/53-72in.  
Width: 110-185cm/43-72in.  
Bar diameter: 4cm/1.5in.  
Bar length: 240cm/94in.

#### Weight

142kg/313lbs.

#### Description

Intended for training purposes. Bars are made from a fiberglass core, wrapped in maple. High quality carbon steel frame, finished with powder coating. Spin lock system provides maximum height accuracy and security. Diagonal brace, with removable casters, connects columns to combat floor and floor hook restrictions. Widened base increases overall stability. Integrated wheels for convenient moving. Non-marking floor contacts.



### HORIZONTAL BARS

#### Model

TQ2013

#### Size

Height: 145-255cm/57-100in.  
Rail length: 240cm/94in.  
Bar diameter: 4cm/1.5in.

#### Weight

46kg/101lbs.

#### Description

High quality carbon steel frame, with chrome plated metal inner tube, finished with powder coating. Bar is made from a fiberglass core, wrapped in maple. Special locking device for quick and easy adjustment of height and width (adjusts in 5cm increments). Secured with 6mm stainless steel wire and quick adjusting device.



### UNEVEN BARS FOR CHILDREN

#### Model

TQ2012

#### Size

High bar height: 155-195cm/61-76in.  
Low bar height: 95-135cm/37-53in.  
Width: 32-52cm/12-20in.  
Rail: 170cm/67in.  
Bar diameter: 4cm/1.5in.

#### Weight

86kg/189lbs.

#### Description

Intended for children's training purposes. Bars are made from a fiberglass core, wrapped in maple. High quality carbon steel frame, finished with powder coating. Spin lock system provides maximum height accuracy and security. Frame base features a special fastening device to quickly adjust the distance between rails. Non-marking floor contacts.



### FLOOR TRAINING BAR

#### Model

TQ2014

#### Size

Height: 40cm/15in.  
Length: 240cm/94in.  
Bar diameter: 4cm/1.5in.

#### Weight

29kg/64lbs.

#### Description

High quality carbon steel frame, finished with powder coating. Bar is made from a fiberglass core, wrapped in maple. Large chassis features non-slip rubber pad to increase overall stability. Also great for strength training.

**SINGLE BAR RECREATIONAL GYMNASTICS**

**Model**

TQ2083

**Size**

Height: 155-195cm/61-76in.

Bar length: 170cm/67in.

Bar diameter: 3.6cm/1.4in.

**Weight**

43kg/94lbs.

**Description**

High quality fiberglass bar covered in wood. Stable safety equipment connected to the horizontal bar, powder coated in red. Pads sold separately.



**HANDSTAND BOUNCER**

**Model**

TQ2015

**Size**

High bar: 95 -135cm/37-53in.

Low bar height: 30cm/11in.

Bar length: 170cm/67in.

Bar diameter: 4cm/1.5in.

Width is adjustable

**Weight**

131kg/288lbs.

**Description**

High quality carbon steel frame, finished with powder coating. Middle bar is made from a fiberglass core, wrapped in maple. Equipped with elastic beams with bouncers made of rubber, wrapped in XPE, then covered with PVC leather, and bounded by velcro. Frame features a special lock and lift handle to allow quick and easy height adjustment, and has fastening devices at the base to adjust width.





FIG Approved

**COMPETITION POMMEL HORSE****Model**

TQ1004

**Size**

Height: 95-125cm/37-49in.  
 Scope of adjustment: 5cm/2in.  
 Horse length: 160cm/63in.  
 Horse width: 35cm/13in.  
 Horse height: 28cm/11in.

**Description**

Polyurethane trunk topped with XPE foam and wrapped with genuine cowhide leather to absorb moisture. Molded inner tube to ensure reduced risk of injury. Welded 3mm high galvanized steel base. Horse is supported by high quality, welded 75x125mm steel rectangular tubes. Integrated wheels for convenient moving. Anchoring configuration included. Non-marking floor contacts.

**LOW POMMEL HORSE (A)****Model**

TQ2025

**Size**

Length: 160cm/63in.  
 Width: 35cm/13in.  
 Height: 40cm/15in.

**Weight**

65kg/143lbs.

**Description**

Polyurethane trunk topped with XPE foam and wrapped with genuine cowhide leather. Base is made of multilayer laminated molding, finished with powder coating. Distance between pommels is 40-45cm, which can be adjusted. Non-marking floor contacts.

**POMMEL HORSE FOR TRAINING****Model**

TQ2024

**Size**

Height: 95-125cm/37-49in.  
 Length: 160cm/63in.  
 Scope of adjustment: 5cm/2in.

**Weight**

75.5kg/166lbs.

**Description**

Polyurethane trunk topped with XPE foam and wrapped with genuine cowhide leather. Base is made of galvanized steel, finished with powder coating. Inside high density sponge for maximum shock-absorbing effect. Integrated wheels for convenient moving. Anchoring configuration included. Non-marking floor contacts.

**LOW POMMEL HORSE (B)****Model**

TQ2045

**Size**

160x35x50-65cm/63x13x19-25in.

**Weight**

40kg/88lbs.

**Description**

Polyurethane trunk topped with XPE foam, which provides shock-absorption effects, and wrapped with genuine cowhide leather. Base is made of high quality carbon steel. Distance between hand grips is 40-45cm, which can be adjusted. Features quick locking adjustment devices. Non-marking floor contacts.

**ROTATING POD TRAINER****Model**

TQ2029

**Size**

Outside diameter: 190cm/74in.

Inside diameter: 60cm/23in.

Height: 80cm/31in.

**Weight**

123kg/271lbs.

**Description**

Used for developing skills on the pommel horse. Top is made from EVA foam covered in fibrous PU leather, and manufactured using high-temperature molding. High quality carbon steel base finished with powder coating. Internal thrust bearings, and deep groove ball bearings. Non-marking floor contacts.

**TRAINING POD (PLAIN TOP)****Model**

TQ2026

**Size**

Height: 50-75cm/19-29in. (adjustable in 5cm/2in. increments)

Diameter: 60cm/23in.

**Description**

Used for developing skills on the pommel horse. Top is made from EVA foam covered in fibrous PU leather, and shaped by high-temperature molding. High quality carbon steel base finished with powder coating. Non-marking floor contacts.

**TRAINING POD (POMMEL TOP)****Model**

TQ2027

**Size**

Height: 50-75cm/19-29in. (adjustable in 5cm/2in. increments)

Diameter: 60cm/23in.

**Description**

Used for developing skills on the pommel horse. Top is made from EVA foam covered in fibrous PU leather, and shaped by high-temperature molding. Equipped with pommel handle. High quality carbon steel base finished with powder coating. Non-marking floor contacts.

**DOUBLE POMMEL TRAINING POD****Model**

TQ2028

**Size**

Height: 50-75cm/19-29in. (Adjustable in 5cm/2in. increments)

Diameter: 60cm/23in.

**Weight**

25kg/55lbs.

**Description**

Used for developing skills on the pommel horse. Top is made from EVA foam covered in fibrous PU leather. Equipped with adjustable dual pommel handles. High quality carbon steel base finished with powder coating.

**LARGE POD TRAINER****Model**

TQ2050

**Size**

Diameter: 100cm/39in.

Height: 40cm/15in.

**Weight**

30kg/66lbs.

**Description**

Used for developing skills on the pommel horse. Top is made from EVA foam covered in molded PU leather. Features a welded integrated frame. Non-marking floor contacts.



**TRAINING BALANCE BEAM**

**Model**  
TQ2017

**Size**  
Length: 500cm/196in.  
Height: 70-125cm/27-49in.  
(adjustable in 5cm/2in. increments)

**Weight**  
82kg/180lbs.

**Description**  
Aluminum alloy beam covered with a natural rubber dampening layer. Coated with polished leather. High quality carbon steel base. Oval side handles allow quick and easy height adjustments and secure locking. Comes with safety protection sleeve.



FIG Approved



**COMPETITION BALANCE BEAM**

**Model**  
TQ1007

**Size**  
Length: 500cm/196in.  
Height: 70-125cm/27-49in.  
(adjustable in 5cm/2in. increments)

**Weight**  
82kg/180lbs.

**Description**  
Aluminum alloy beam covered with a natural rubber dampening layer. Coated with polished leather. High quality carbon steel base. Oval side handles allow quick and easy height adjustments and secure locking. Comes with safety protection sleeve.



**VAULTING BUCK**

**Model**  
TQ2035

**Size**  
50x35x80-110cm/19x13x31-43in. (adjustable in 5cm/2in. increments)

**Weight**  
39kg/86lbs.

**Description**  
Polyurethane trunk stuffed with high density sponge, topped with XPE foam, and wrapped with genuine cowhide leather. Welded frame finished with powder coating. Features 4 legs for base protection and stand evenly on rugged grounds.



**SMALL VAULTING BUCK**

**Model**  
TQ2090

**Size**  
50x35x80-110cm/19x13x31-43in. (adjustable in 5cm/2in. increments)

**Weight**  
26kg/57lbs.

**Description**  
Polyurethane trunk stuffed with high density sponge, topped with XPE foam, and wrapped with genuine cowhide leather. Welded frame finished with powder coating. Features 4 legs for base protection and stand evenly on rugged grounds.



**LARGE VAULTING BUCK**

**Model**  
TQ2091

**Size**  
60x35x28cm/23x13x11in.

**Weight**  
43kg/94lbs.

**Description**  
Auxiliary equipment for jump training. Surface of vaulting buck covered with leather. Frame finished with powder coating.

**FLOOR BALANCE BEAM****Model**

TQ2051

**Size**

Length: 500, 400, 300, 250cm/ 196, 157, 118, 98in.

Width: 10cm/4in.

Height: 25cm/10in.

**Weight**

37kg/81lbs.

**Description**

Aluminum alloy beam covered with a natural rubber dampening layer, which provides shock-absorption effects. Preformed foam end plugs reduce risk of injury. Coated with polished leather. High quality carbon steel base.

**CHILDREN'S BALANCE BEAM****Model**

TQ2577

**Size**

400x20x30cm/157x7x11in.

**Weight**

10kg/22lbs.

**Description**

Wood base covered in XPE foam, topped with high quality leather.

**LOW BALANCE BEAM****Model**

TQ2019

**Size**

Length: 500, 300, 250cm/ 196, 118, 98in.

Height: 40cm/15in.

Width: 10cm/4in.

**Weight**

46kg/101lbs.

**Description**

Aluminum alloy beam covered with a natural rubber dampening layer to increase overall flexibility of the beam. Coated with polished leather. Handles allow quick and easy width adjustments between two legs and secure locking. High quality carbon steel base.

**BALANCE BEAM EXTENSION****Model**

TQ2021

**Size**

Length: 250cm/98in.

Width: 20cm/7in.

**Weight**

8kg/17lbs.

**Description**

The purpose of this is to widen the beam length by 250cm and width by 20cm for training use. Made of high-density rubber sponge, and coated with microfiber leather. Safely secures to balance beam with multiple velcro straps.



**CHILDREN'S SINGLE BAR (A)****Model**

TQ2008

**Size**

Height adjustment scope: 155-195cm/61-76in.

Change of elevation: 5cm/2in.

Diameter: 4cm/1.5in.

Bar length: 170cm/67in.

**Weight**

56kg/123lbs.

**Description**

Bar features a high quality fiberglass core wrapped with maple wood. Frame is made of high quality carbon steel, finished with powder coating, and features chrome-plated adjustment handles that allow quick height adjustments for every 5cm increment. The steel base ensures stability for the upper bar structure. It has a three-point locking device, to guarantee no accidental loosening. The bars also feature glass fibers which increase the elasticity and strength.



FIG Approved

**COMPETITION HORIZONTAL BAR****Model**

TQ1002

**Size**

Height: 270-305cm/106-120in.

Bar diameter: 2.8cm/1in.

Bar length: 240cm/94in.

**Weight**

80kg/176lbs.

**Description**

Frame is made with high quality carbon steel, and has a chrome-plated metal tube and circular disc protection device. Features a secure double cable tension system, which includes a set of stainless steel 6mm cables with two clamping bolts, steel chains and rotors, and tension adjusting stainless steel handles. Bars are made from a resilient, high quality, spring stainless steel with rust-proof handles that maximize the safety of the user.

**CHILDREN'S SINGLE BAR (B)****Model**

TQ2009

**Size**

Height adjustment scope: 95-135cm/37-53in.

Bar diameter: 4cm/1.5in.

Bar length: 130cm/51in.

**Weight**

30kg/66lbs.

**Description**

Bar features a high quality fiberglass core wrapped with maple wood. Frame is made of high quality carbon steel, finished with powder coating, and features chrome-plated adjustment handles that allow quick height adjustments for every 5cm increment. The steel base ensures stability for the upper bar structure. It has a three-point locking device, to guarantee no accidental loosening. The bars also feature glass fibers which increase the elasticity and strength.

**MULTI-FUNCTIONAL HORIZONTAL BAR****Model**

TQ2007

**Size**

Height adjustment scope: 90-280cm/35-110in.

Change of elevation: 10cm/4in.

Bar diameter: 2.8cm/1in.

Bar length: 240cm/94in.

**Weight**

90kg/198lbs.

**Description**

Frame is made with high quality carbon steel material, and has a chrome-plated metal tube and a circular disc protection device. Bar is made with high quality spring steel, and features a rust-proof handle bar and locking lift handle, allowing quick and easy adjustments. It can be equipped with high and low lever surface for use by athletes at all levels. Bar face and the columns are securely connected by 6mm stainless steel wire and hooks. Frame base can sufficiently disperse the maximum forces of athletes.





### SPOTTING FRAME

#### Model

TQ2016

#### Size

Height: 640cm-670cm/251-263in.

Height adjustment increments: 5cm/2in.

Width: 240cm/94in.

#### Weight

136kg/300lbs.

#### Description

Suitable for all levels of athletes. Frame is made of high quality carbon steel, with welding assembly molding. It includes a cow leather belt with a rotating device, hanging at the top of the frame through a nylon rope which is transported to ground by pulley to reduce risk of injury. Secured with 6mm stainless steel wire, with quick tightening device. Features a widened base to disperse weight and pressure.

### WALL GYMNASTICS RINGS

#### Model

TQ2033

#### Size

Inner diameter of rings: 160cm/63in.

Ring diameter: 2.8cm/1in.

Distance between rings: 50cm/19in.

Height between ring and ground adjustable range: 80-270cm/31-106in.

#### Weight

86kg/189lbs.

#### Description

The rings are made of beech plywood, and the frame is made of high quality carbon steel with powder coating. Equipment can be fixed to the wall through stainless steel wire rope, leather ring straps, and bolts to ensure maximum stability.



### COMPETITION RINGS

#### Model

TQ1006

#### Size

Height: 590cm/232in.

Height adjustment scope: 275-300cm/108-118in.

Distance between columns: 316cm/124in.

Distance between rings: 50cm/19in.

#### Weight

148kg/326lbs.

#### Description

Beaded multi-layer wooden rings can be stressed uniformly and create buffer actions to prevent hand injuries with stainless steel wire and leather belt suspension to improve shock absorption and reduce risk of injury. Frame material is high quality carbon steel material, with chrome-plated metal tubes. The columns are welded by high quality 60x60 mm and 55x55 mm square tube, to ensure stability. Crossbeam is 120x80mm steel tube with built-in rubber spring device to absorb shock. The adjusting rod area is made of 55x55mm steel tube, with a specially treated surface to improve ease of adjustment. Adjustment range 30cm, with increment of 5 cm. Stands have round disc floor protection devices to disperse weight and ensure stability, which are secured by means of a double cable tension system. The tension equipment consists of 6mm steel cable steel chain, 4 tighteners, and steel coil. The tension-adjustment gear is also included.



### TRAINING RINGS

#### Model

TQ2030

#### Size

Height: 590cm/232in.

Ring height adjustment scope: 80-270cm/31-106in.

Width: 316cm/124in.

Distance between rings: 50cm/19in.

#### Description

The rings feature a beech multi-layer board, and a stainless-steel wire with leather and suspension belt hanging in the shock-absorbing bearing system, ensuring safety, stability, and easy adjustment. Frame is made with high quality carbon steel, finished with silver powder coating, and has a chrome-plated metal tube and circular disc floor protection device. Restraining device is arranged inside a special shock absorber spring and pin connection.



**CHILDREN'S RINGS**

**Model**

TQ2032

**Size**

Ring height adjustment scope: 105-135cm/41-53in.  
Change of elevation: 5cm/2in  
Inner diameter of rings: 16cm/6in.

**Weight**

70kg/154lbs.

**Description**

Rings are made of beech plywood. Frame is made of high quality carbon steel, with chrome-plated adjustments. Lift and lock handles allow quick ring height adjustment for each 5cm increment. Column and base are connected with special clamp devices to ensure stability and safety.



**RINGS AND ARM STRENGTH TRAINER**

**Model**

TQ2031

**Size**

Length: 250cm/98in.  
Width: 60cm/23in.  
Height: 75-125cm/29-49in.

**Weight**

44kg/97lbs.

**Description**

The rings are made of beech plywood, covered with high-density sponge, and are connected to the pulley plate system by nylon rope. Rings feature rolling devices which allow smooth movements. Frame is made with high quality galvanized carbon steel, finished with powder coating, and has a floor to floor anti-skid protection device.



**STANDARD TRAMPOLINE**

**Model**

TQ1013

**Size**

Frame: 520x305x115cm/204x120x45in.  
Bed: 426x213cm/167x83in.  
Safety Platform: 185x265x265cm/72x104x104in.

**Description**

Spring bed area has a special protection mat, made of PVC coated high rebound sponge, with tension systems at the bottom to prevent contact with springs for improved elasticity. Bed surface is made of polypropylene material. Includes 2 safety platforms per trampoline, pads sold separately.

**CEILING RING SET**

**Model**

TQ1006.08

**Weight**

18kg/39lbs.

**Description**

The rings feature a beech multi-layer board, and a stainless-steel wire rope with stainless steel wire rope with tie-in leather and rings hanging on a shock absorption bearing system.



**GYMNASTICS RINGS CROSS BRACE TRAINER****Model**

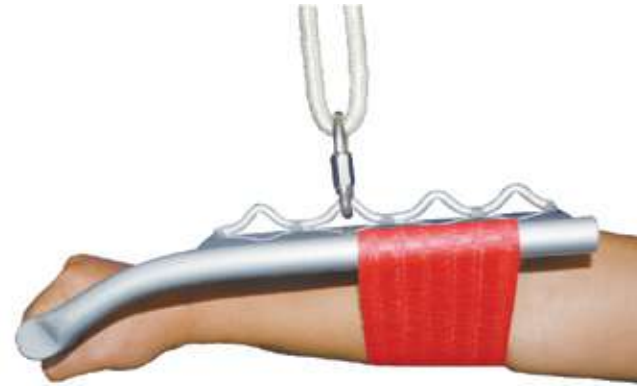
TQ2034

**Size**

35x18cm/13x7in.

**Description**

Used to strengthen arm and wrist strength. Elastic band is made of nylon rubber. The elastic band is tied to the main frame with medium elasticity, to allow comfortable wear. Frame is integrated through carbon steel welding, and is equipped with hanging devices to prevent hand joint injuries.

**COMPETITION VAULTING TABLE****Model**

TQ1005

**Size**

120x95x110-135cm/47x37x43-53in.

**Weight**

142kg/313lbs.

**Description**

Strong multilayer wooden inner tubing, padded with shock-absorbing foam. Supported by a 5mm high quality steel tube, with treated surface to ensure smooth adjustments. Tongue-shaped platform prevents injury, central column padding increases the overall safety. Horseshoe material for the EV50 include natural rubber particles and is covered with suture material of microfiber leather, 3 ° micro-elevation design to allow maximum movement. Features anti-slip and anti-earthquake adjustable feet, a square cable anchor base, and air spring automatic height adjustment card bolt and locking fixture.

**Altitude controller**

Rotating the controller counter clockwise will allow the inner column is separated from outer column table-board can move when the safe turn button is drawn. It can be locked automatically when turn button released, corresponding to the standards of competition. Height adjustment scope is between 110cm-135cm and increased by every 5cm. The back installed handle is very safe.

**Speedy altitude controller**

With the widely use of vault board, to save time for regulating the height is important. For the old vault, it took several minutes. However, it only needs 10 seconds by using our product.

**Base controller**

Base is a welded 4 mm high quality steel plate, equipped with four special rubber trimmers, to protect the floor and 10 mm height fine-tuning device on each leg to adjust on uneven ground.

**Protective layer for safety**

The shore in the middle is wrapped with little foams. Carpet outside the foams is effectively fire-resistant.

**FIG Approved**

**TRAINING TYPE VAULTING HORSE**

**Model**

TQ2022

**Size**

120x95x110-135cm/47x37x43-53in.

**Weight**

104kg/229lbs.

**Description**

Horseshoe material for the EV50, natural rubber particles and covered with microfiber leather, 3 ° micro-elevation design to maximize movement. Inner tubes are made of high temperature molded wooden boards. Features adjustable feet, with an anti-slip and anti-earthquake anchor base, an air spring with automatic height adjustment card bolt, and locking fixture.



**SPONGE SQUARE PACKAGE FOR VAULTING HORSE TRAINING**

**Model**

TQ2023

**Size**

130x120x95cm/51x47x37in.

**Weight**

58kg/127lbs.

**Description**

This training equipment enhances the strength and flexibility of the athlete's upper body, like their shoulder, chest, abdomen and back muscles. It helps beginning horse vaulters improve coordination, balance, and breath control.



**COMPETITION TUMBLING TRACK**

**Model**

TQ1012

**Size**

(1100+2520+600)x200cm/(433+992+236)x78in.

**Description**

Runway is made with non-woven carpets and XPE, using a heat flame combined process. It has great stability, easy installation, and the non-woven carpets surface offers moderate elasticity. Elastic rod between two frames is made of glassfiber, which creates a perfect environment for athletes to perform various actions.



**RUNWAY**

**Model**

TQ1543

**Size**

2500x100x1.5cm/984x39x.6in.

**Description**

Made with non-woven carpets and XPE foam, using a heat flame combined process. The product has great stability, easy installation, and the non-woven carpets surface provides comfort and moderate elasticity.



**MAGNESIUM HOLDER FOR HANDS****Model**

TQ2068

**Size**

0.5x0.5x0.9m/19x19x35in.

**Weight**

5.5kg/12lbs.

**MAGNESIUM HOLDER FOR FEET****Model**

TQ2067

**Size**

45x45x45cm/17x17x17in.

**Description**

Sky-blue powder coated surface.

**5 SECTION VAULTING BOX****Model**

TQ2077

**Size**

125x78x125cm/49x30x49in.

**Weight**

96kg/211lbs.

**Description**

Manufactured by wood mortise and tenon processes, this 5-level vaulting box made up of pine wood has a brushed surface varnish and is connected the positioning and jumping box. Top surface is coated with fibrous leather, inner body is pine board, and upper body is supported with EVA. It has slots on both ends to allow quick and convenient height adjustment.

**7 SECTION VAULTING BOX****Model**

TQ2053

**Size**

130x78x125cm/51x30x49in.

**Weight**

96kg/211lbs.

**Description**

Manufactured by wood mortise and tenon processes, this 7-level vaulting box made up of pine wood has a brushed surface varnish and is connected the positioning and jumping box. Top surface is coated with fibrous leather, inner body is pine board, and upper body is supported with EVA. It has slots on both ends to allow quick and convenient height adjustment.





**CIRCLE POMMEL HORSE TRAINER**

**Model**

TQ2055

**Size**

Top height: 45cm/17in.  
Top diameter: 60cm/23in.

**Description**

Coated with fiber leather and formed through high-temperature molding. Surface is powder coated. Great stability and elasticity. Suitable for young practitioners.



**CHILDREN'S LONG TRAMPOLINE**

**Model**

TQ2036

**Size**

Length: 600cm/236in.  
Width: 210cm/82in.  
Height: 56cm/22in.

**Weight**

78kg/172lbs.

**Description**

Frame material is high quality welded carbon steel, mesh sewed with the black nylon and PVC knitted mesh and sun cloth, with floor protection covers. Its separate unit module structure allows convenient installation, while the length can be assembled per the size of your space. Features high-duty extension springs for maximum elasticity and stability.



**U TYPE MAT**

**Model**

TQ2556

**Size**

160x120x20cm/63x47x7in.

**Description**

Auxiliary equipment of vault springboard, inner material is XPE material, suitable for vault practitioners to use.



**CHILDREN'S SQUARE TRAMPOLINE**

**Model**

TQ2037

**Size**

Frame: 130x130cm/51x51in.  
Net: 70x70cm/27x27in.  
Height: 52.5-67cm/20-26in.

**Weight**

30kg/66lbs.

**Description**

Net is made of weaved nylon, and is equipped with high-duty extension springs to maximize elasticity and stability. Frame is made of welded carbon, and has quick-adjusting lock devices.



**CHILDREN'S HEXAGONAL TRAMPOLINE**

**Model**

TQ2081

**Size**

Frame Diameter: 170cm/67in.  
Height: 43cm/17in. (including protection mat)

**Weight**

38kg/83lbs.

**Description**

Net material is black nylon mesh cloth and PVC woven cloth. Frame has been welded with high quality carbon steel, and is equipped with 36pcs of high tensile strength spring.

**CHILDREN'S ROUND TRAMPOLINE**

**Model**

TQ2082

**Size**

Frame Diameter: 150cm/59in.  
Height: 43cm/17in. (include protection mat)

**Weight**

31kg/68lbs.

**Description**

Net is made of black nylon mesh cloth and PVC woven cloth. Frame has been welded by high quality carbon steel. Equipped with 39pcs high tensile strength spring.



**SOFT COMPETITION SPRINGBOARD 5-SPRINGS**

**Model**

TQ1010

**Size**

120x60x22cm/47x23x8in.  
Height of top layer: 22cm/8in.  
Bottom height: 3cm/1in.  
Covering thickness: 2.3cm/.9in.

**Description**

Top and bottom board is multi-layer composite wood elastic surface, covered with red carpet, equipped with 2cm thick high elastic sponge for better shock absorption effect. High temperature molded 2 cm multilayer birch wood bottom, with rubber anti-slip pads. Inner tube is made of compressed sponge. 5-spring hard board with fall-out device, increasing shock-absorption effect. 40-80kg weight capacity.



**FIG Approved**



**HARD COMPETITION SPRINGBOARD 8-SPRINGS**

**Model**

TQ1011

**Size**

120x60x22cm/47x23x8in.  
Height of top layer: 22cm/8in.  
Bottom height: 3cm/1in.  
Covering thickness: is 2.3cm/.9in.

**Description**

Top and bottom board is multi-layer composite wood elastic surface, covered with red carpet, equipped with 2cm thick high elastic sponge for better shock absorption effect. High temperature molded 2 cm multilayer birch wood bottom, with rubber anti-slip pads. Inner tube is made of compressed sponge. 8-spring hard board with fall-out device, increasing shock-absorption effect. 50-95kg weight capacity.



**FIG Approved**



**CHILDREN'S SPRINGBOARD**

**Model**

TQ2044

**Size**

7.6x5.7x1.6cm/3x2x.6in.  
Height with top layer: 15cm/6in.  
Bottom layer: 1.5cm/.6in.  
Covering thickness: 2.3cm/.9in.

**Description**

Top and Bottom board is made of Birch wood, and the inner tube is made of XPE foam.





**PARALLEL HANDSTAND BARS**

**Model**

TQ2057

**Size**

40x23x13cm/15x9x5in.

**Weight**

6.87kg/14lbs.

**Description**

Made of Pine wood and Ash through mortise and tenon processes. Surface is treated with eco-friendly varnish.



**HORIZONTAL BAR HANDSTAND**

**Model**

TQ2058

**Size**

90x23x13cm/35x9x5in.

**Weight**

1.5kg/3lbs.

**Description**

Made of Pine wood and Ash through mortise and tenon processes. Surface is treated with eco-friendly varnish.



**WALL BARS**

**Model**

TQ2059

**Size**

90x18x280cm/35x7x110in.

**Description**

Made of Pine wood and Manchurian ash wood through mortise and tenon processes. Surface is treated with eco-friendly varnish.



**DOUBLE WALL BAR**

**Model**

TQ2084

**Size**

180x18x280cm/70x7x110in.

**Description**

Made of Pine wood and Manchurian ash wood through mortise and tenon processes. Surface is treated with eco-friendly varnish.



**WOODEN GYMNASTICS BENCH**

**Model**

TQ2042

**Size**

244x25x25cm/96x9x9in.

**Weight**

19kg/41lbs.

**Description**

Made of Birch wood, this multi-layered board features anti-slip rubber covering on each leg. Lightweight for easy and convenient moving. Narrow bottom board can be used for balance beam exercise when turned over.



**RIBBON**

**Model**

TQ2062



**ROPE**

**Model**

TQ2064





**CLUBS**

**Model**  
TQ2063

**Material**  
Plastic



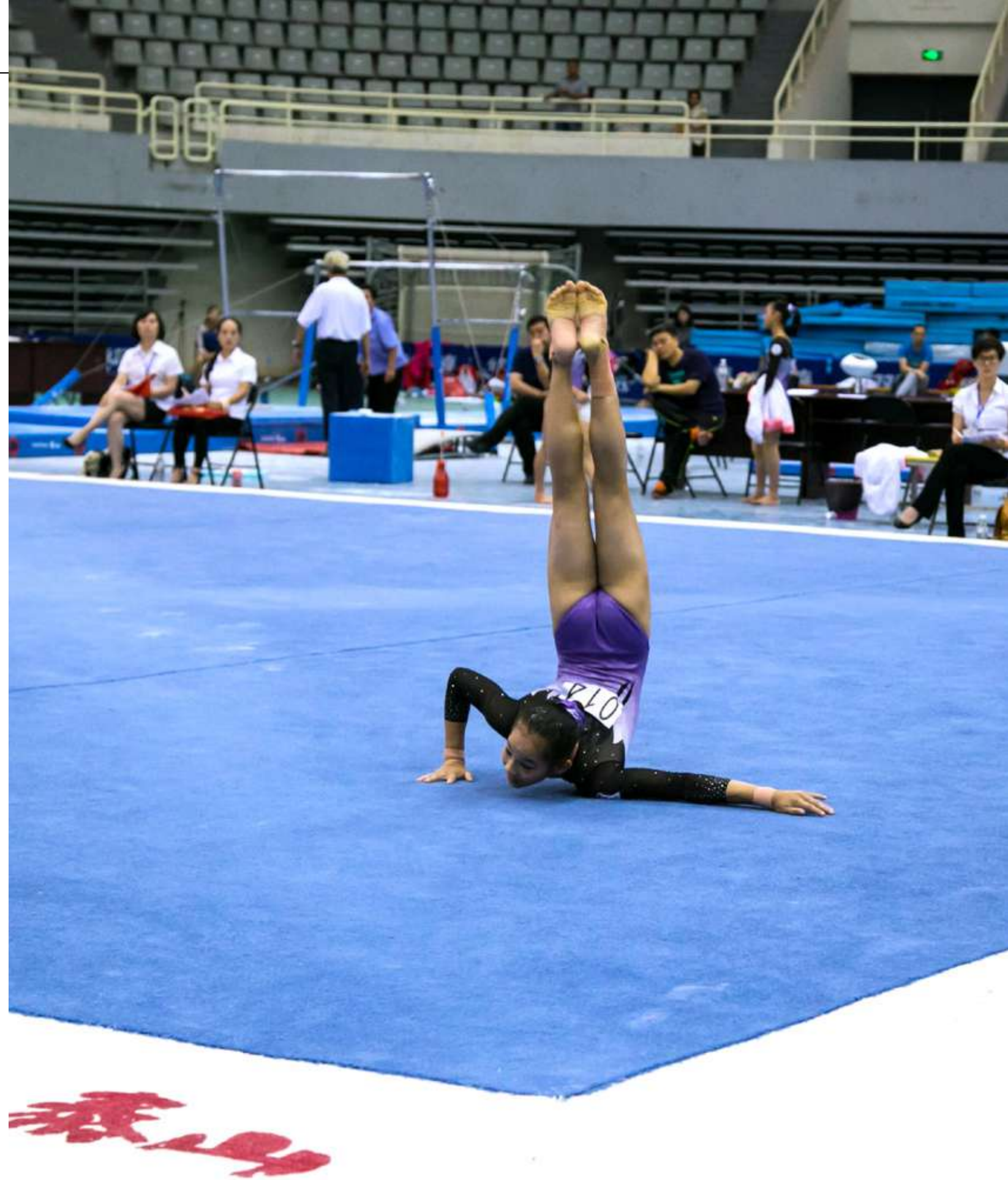
**BALL**

**Model**  
TQ2065



**HOOP**

**Model**  
TQ2066



**GYMNASTICS PLATFORM****Model**

TQ1016

**Size**

54x26.5x0.8m/177ftx87ftx31in.

**Description**

Our top platform design has a good structure and is easy to fold to ensure minimal packing volume. This product has obtained a national patent.

**Appointed product for Beijing 2008 Olympic Games.**

\*Cheerleading spring floors available by request.

**COMPETITION RHYTHMIC GYMNASTICS FLOOR****Model**

TQ1009

**Size**

14.5x14.5m/47.5x47.5ft.; competition zone

13x13m/42.6x42.6ft.

**Description**

Features a carpet and elastic layer. Elastic layer is made of laminated parquet. Carpet layer provides anti-slip coverage, elastic layer allows maximum elasticity and safety.



**FIG Approved**



**COMPETITION ARTISTIC FLOOR EXERCISE SYSTEM****Model**

TQ1008

**Size**

15x15m/49x49ft.; competition zone 12x12m/39x39ft.

**Description**

The floor system consists of: laminated parquets, power spring deck, roll foam and carpet. Carpet provides anti-slip resistance. The floor combination ensures maximum elasticity and safety.

**FIG Approved**

**LANDING MATS**

**Model**

- TQ1525 // 200×200×10cm/78×78×4in.
- TQ1526 // 200×300×10cm/78×118×4in.
- TQ1527 // 200×400×10cm/78×157×4in.
- TQ1528 // 200×500×10cm/78×196×4in.
- TQ1529 // 200×600×10cm/78×236×4in.

**Size**

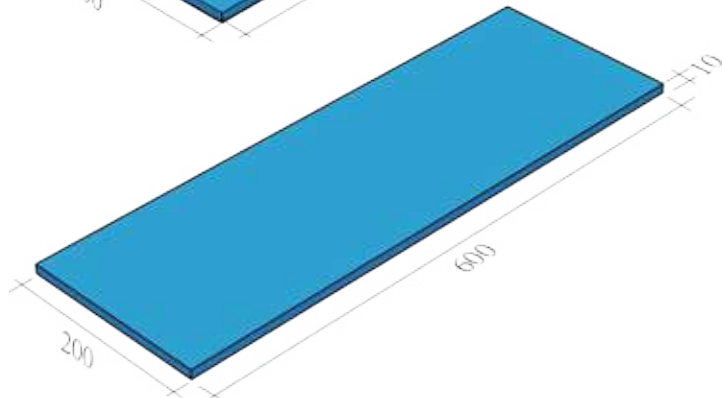
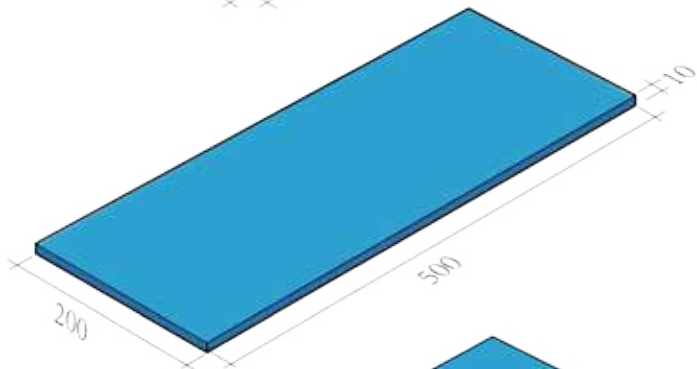
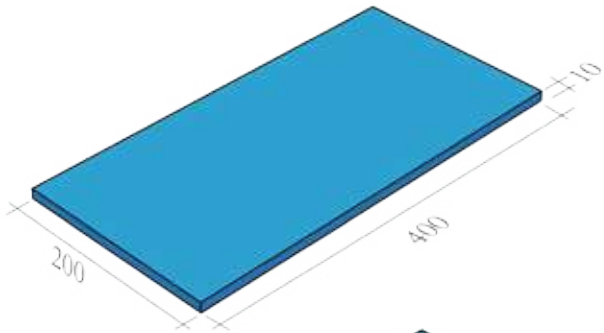
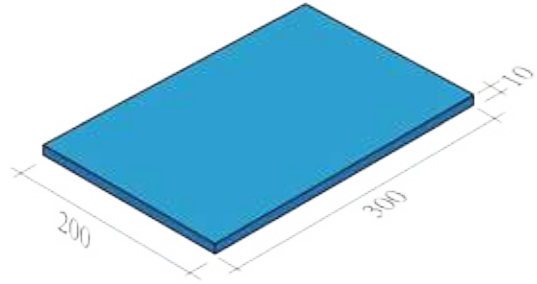
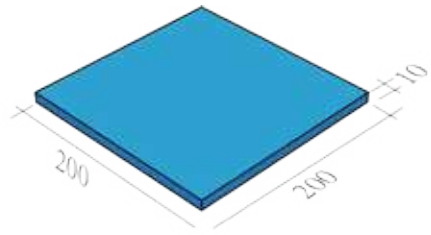
Thickness 10cm/4in.; length and width can be customized

**Color**

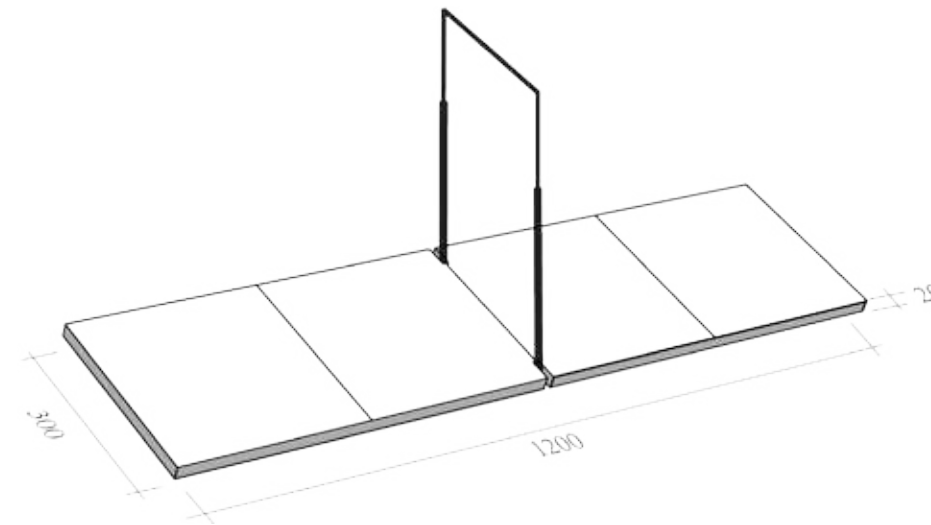
Blue

**Description**

Sponge, PVC leather



**FIG Approved**



**COMPETITION LANDING MATS FOR HORIZONTAL BAR**

**Model**

TQ1511

**Size**

1200×300×20cm/472×118×7in.

**Color**

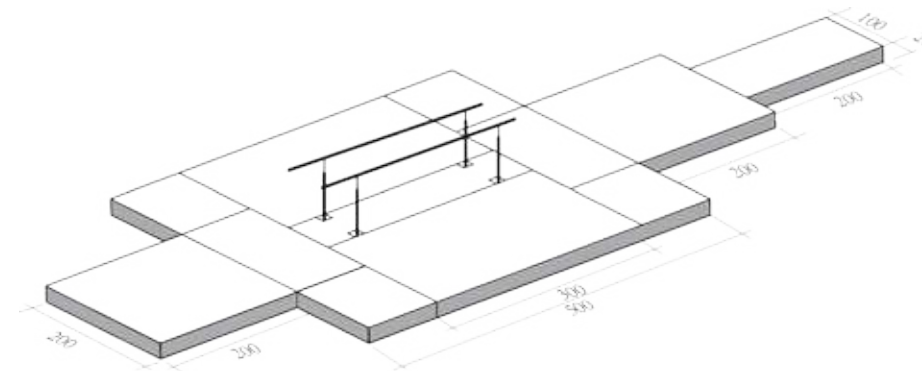
Blue

**Description**

XPE, Sponge, PVC leather



**FIG Approved**



**COMPETITION LANDING MATS FOR HORIZONTAL BAR**

**Model**

TQ1510

**Size**

(200×200+500cm+200×200×100)×20cm/  
(78×78+196)+(78×78×39)×7in.

**Color**

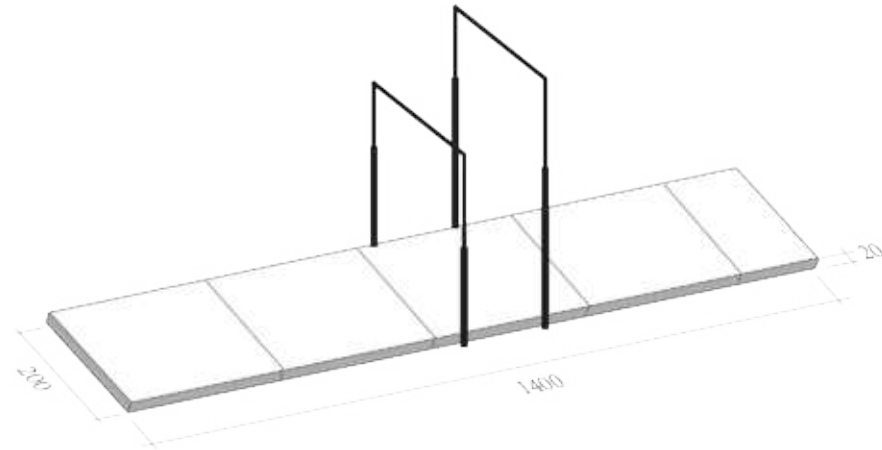
Blue

**Description**

XPE, Sponge, PVC leather



FIG Approved



**COMPETITION LANDING MATS FOR UNEVEN BARS**

**Model**  
TQ1512

**Size**  
1400x200x20cm/551x78x7in.

**Color**  
Blue

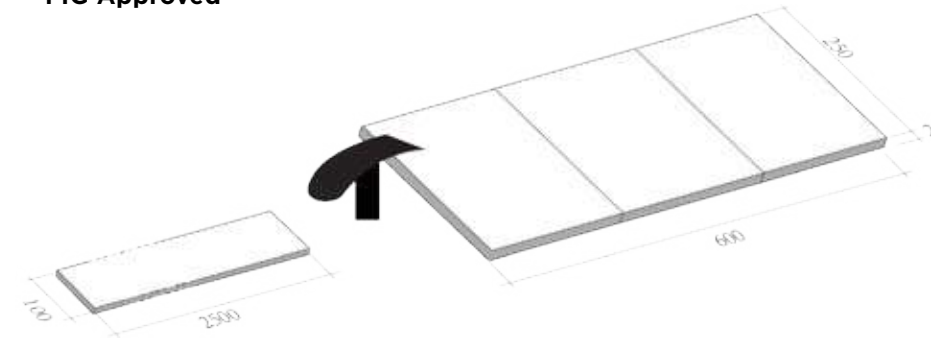
**Description**  
XPE, Sponge, PVC leather

**Color**  
Blue

**Description**  
XPE, Sponge, PVC leather



FIG Approved



**COMPETITION LANDING MATS FOR VAULTING HORSE**

**Model**  
TQ1513

**Size**  
600x250x20cm/236x98x7in.

**Color**  
Blue

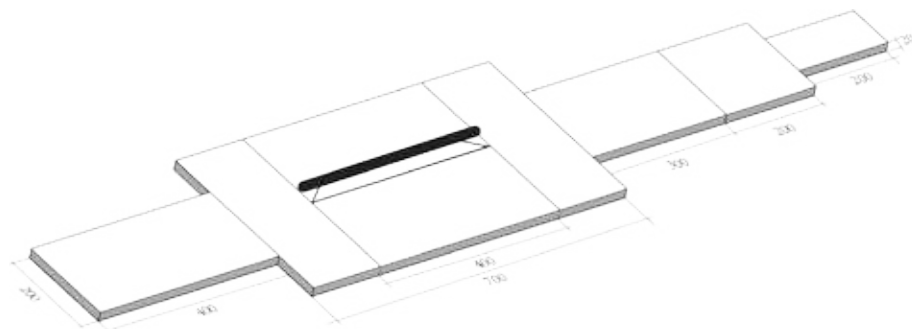
**Description**  
XPE, Sponge, PVC leather

**Color**  
Blue

**Description**  
XPE, Sponge, PVC leather



FIG Approved



**COMPETITION LANDING MATS FOR BALANCE BEAM**

**Model**  
TQ1515

**Size**  
(400x200+700x400+  
500x200+200x100)×  
20cm/  
(157x78+275x157+196x78+78x39)×7in.

**Color**  
Blue

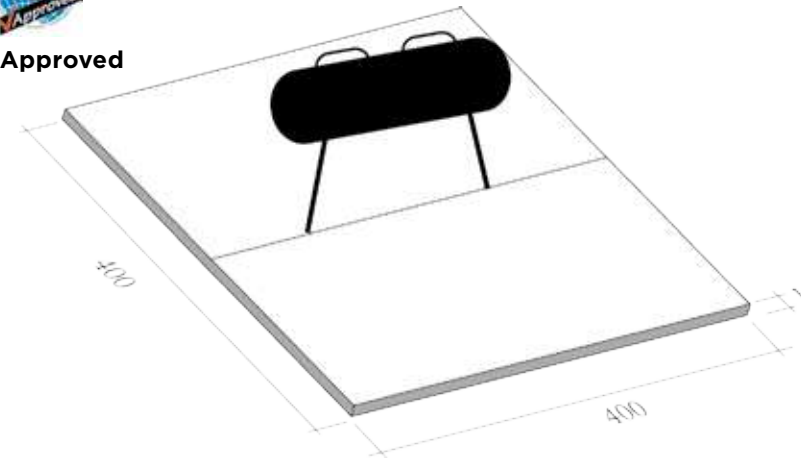
**Description**  
XPE, Sponge, PVC leather

**Color**  
Blue

**Description**  
XPE, Sponge, PVC leather



FIG Approved



**COMPETITION LANDING MATS FOR POMMEL HORSE**

**Model**  
TQ1504

**Size**  
400x400x10cm/157x157x4in.

**Color**  
Blue

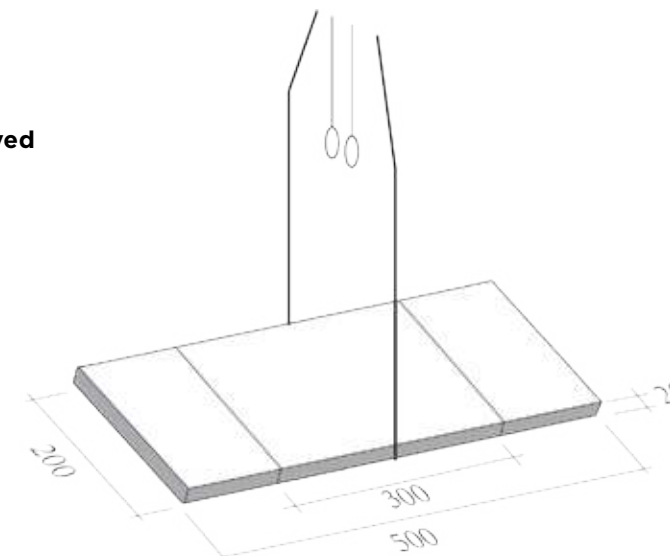
**Description**  
XPE, Sponge, PVC leather

**Color**  
Blue

**Description**  
XPE, Sponge, PVC leather



FIG Approved



**COMPETITION LANDING MATS FOR TYPE RINGS**

**Model**  
TQ1514

**Size**  
500x200x20cm/196x78x7in.

**Color**  
Blue

**Description**  
XPE, Sponge, PVC leather

**Color**  
Blue

**Description**  
XPE, Sponge, PVC leather



### CHILDREN ROCK CLIMBING BOARD

#### Model

TQ2041

#### Size

1.8x1.8x1m/70x70x39in.

#### Weight

45kg/99lbs.

#### Description

Inner materials of climbing board is made of XPE and special plywood plate, and covered by PVC leather, which ensures comfort. Fastened by velcro straps for good stability. Features 14 different climbing rocks.



### CHILDREN'S GYMNASTICS COMBINATION EQUIPMENT (A)

#### Model

TQ2060

#### Size

Length: 480cm/189in.  
Width: 480cm/189in.  
Height: 155cm/61in.

#### Weight

193kg/425lbs.

#### Description

For children's entertainment and physical exercise. Easy and convenient installation.



### CHILDREN CRAWL NET

#### Model

TQ2040

#### Size

1.8x1.8x0.95m/70x70x37in.

#### Weight

60kg/132lbs.

#### Description

Climbing net is cross-stitched with fifty belts, board is covered in PVC leather, and features inner XPE and plywood plate. Frame is integrated with welding technologies and connected with fastening devices. Treated lifting rod ensures flexibility and quick adjustments.



### CHILDREN'S GYMNASTICS COMBINATION EQUIPMENT (B)

#### Model

TQ2061

#### Size

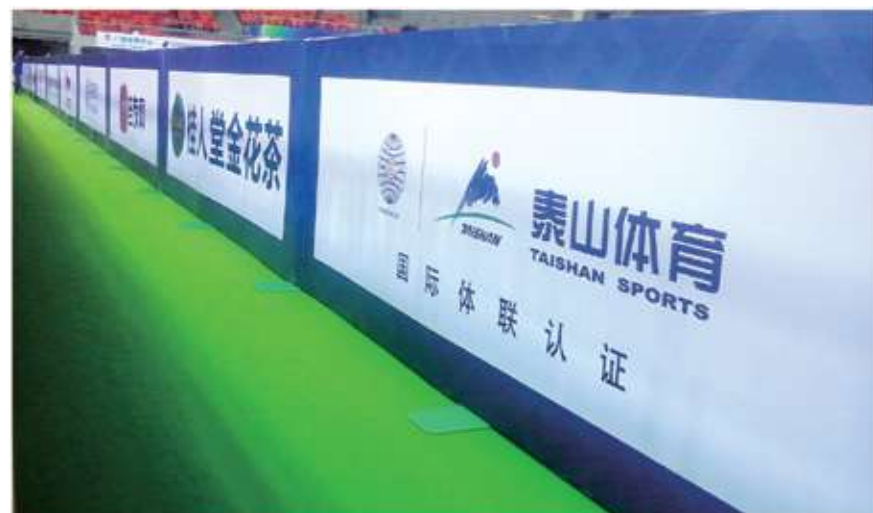
Length: 720cm/283in.  
Width: 350cm/137in.  
Height: 155cm/61in.

#### Weight

205kg/451lbs.

#### Description

For children's entertainment and physical exercise. Easy and convenient installation.



**THE HOARDING OF GYMNASTICS VENUE**

**Model**

TQ2043

**Size**

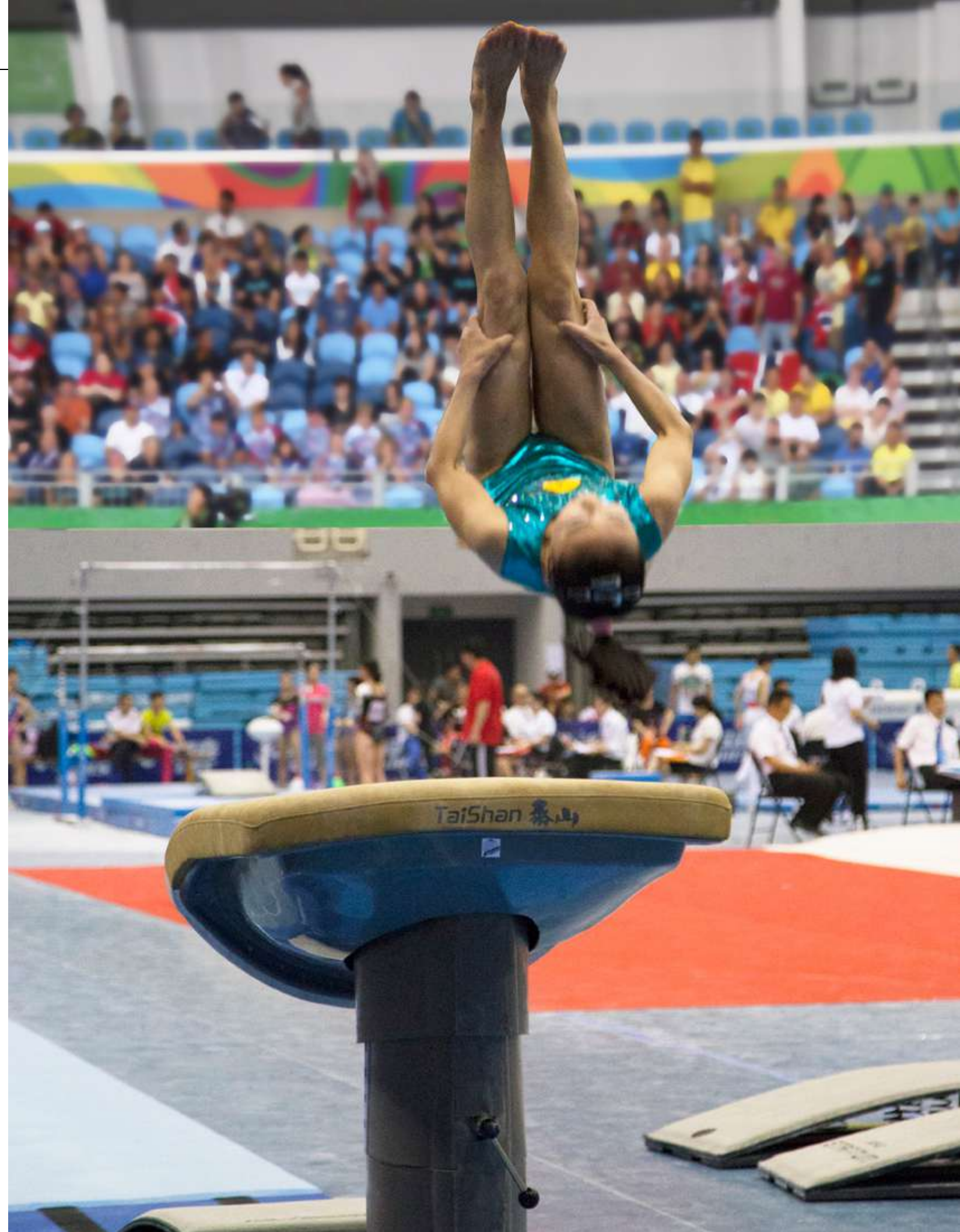
Each unit length: 200cm/78in.  
Thickness: 4cm/1.5in.  
Height: 135cm/53in.

**Weight**

25kg/55lbs.

**Description**

Used for isolating the infield and outfield during competitions. Separate unit structure is connected by Aluminium locks. 0mmx40mmx3mm assembly structure. Easy installation. Inlaid with high density PVC waterproof board.



**CHILDREN CLIMBING TOWER**

**Model**

TQ2046

**Size**

17 piece set covers area of 10' x12' when completely assembled  
480-516 Tumble Tower 10' x12' (305x366cm)-wt.241 lbs.(109kg)

**Weight**

109kg/240lbs.

**Description**

Kids can climb, roll and slide on this multi-function combination which helps to develop early moving and learning ability. Constructed of wood, with 18oz. vinyl covers and high-density polyurethane filler. Includes hook and loop fasteners.



# DESIGN

Taishan Sports has been designing gymnastics sports facilities for decades.

Let us assist you with **your project - your vision.**

Creating a new facility layout, including pits and apparatus, safety and efficiency is our No. 1 priority as we look to meet key functionality, and your gyms recreational and team training needs.

Contact us today with your preliminary sketch for a free design consultation and quote for competitively priced equipment. We will put our creative team to work on designing a layout with our state of the art equipment just for you! ↻

**TaiShan**  
*Sports United States*



---

**Taishan Sports United States, Inc.**


1900 Alameda de las Pulgas, Suite 111  
San Mateo, CA 94403

W | [www.taishansports.us](http://www.taishansports.us)  
T | +1 (415) 890-4770  
F | +1 (415) 890-4720  
E | [sales@taishansports.us](mailto:sales@taishansports.us)

**Taishan Sports Equipment Co., Ltd.**

No. 1 Taishantiyu Road  
Leling, Shandong, China 253600

W | [www.taishansports.com](http://www.taishansports.com)  
T | +86-10-6710-2426  
F | +86-10-6712-2488

An abstract graphic consisting of several overlapping, flowing, wavy shapes in various shades of blue, located in the bottom right corner of the page.